

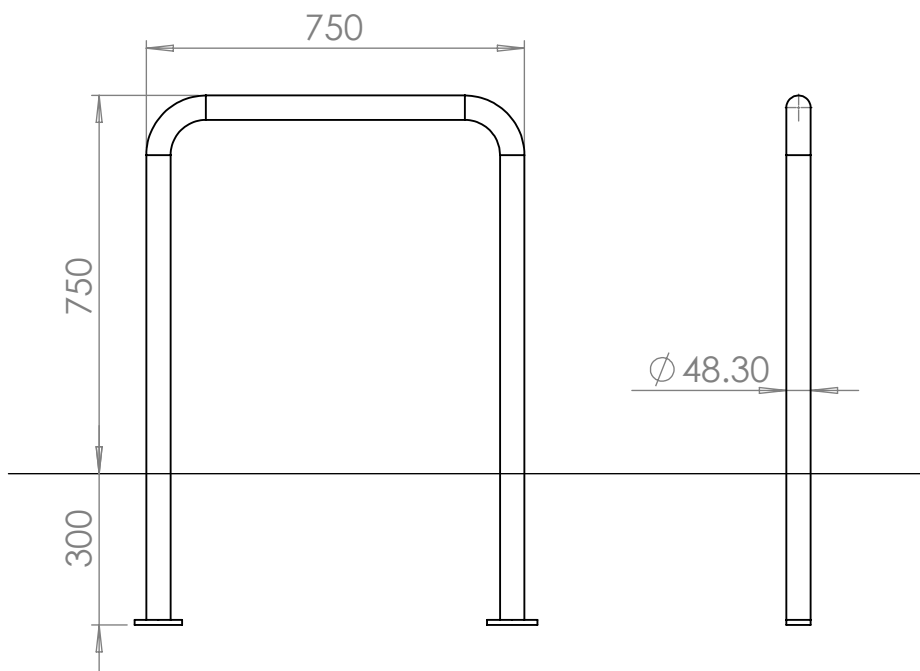


ARCHITECTURAL STREET FURNISHINGS

www.asfco.co.uk info@asfco.co.uk 01484 401414

CYCLE PARKING





Cycle Stands | ASF 8000 Stainless Steel Cycle Stand ASF 9000 Steel Cycle Stand

Standard Finish

Stainless Steel: Grades 304 and 316 available, satin brush finish.

Optional Finish

Highly polished, bead blasted or polyester powder coated.

Adaptations

Cycle stands can be supplied with a root base fixing for below ground or a base plate fixing for above ground.



Cycle Stands | ASF 8000/R5 Stainless Steel Cycle Stand ASF 9000/R5 Steel Cycle Stand

Standard Finish

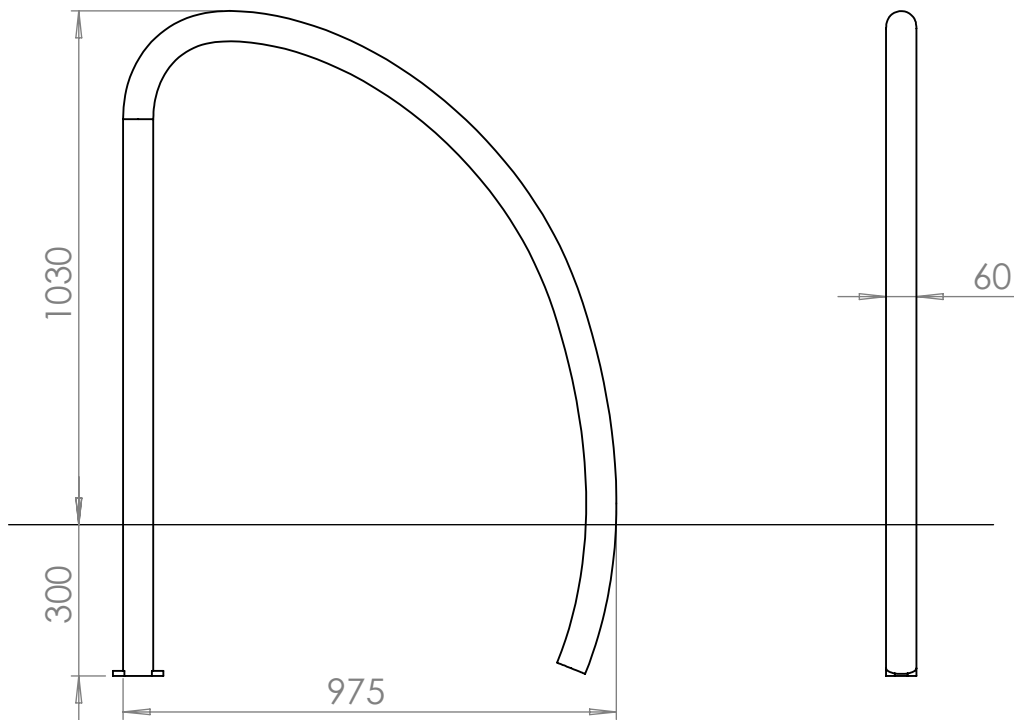
Stainless Steel: Grades 304 and 316 available, satin brush finish.

Optional Finish

Highly polished, bead blasted or polyester powder coated.

Adaptations

Cycle stands can be supplied with a root base fixing for below ground or a base plate fixing for above ground.



Cycle Stands | ASF 8001 Stainless Steel Cycle Stand ASF 9001 Steel Cycle Stand

Standard Finish

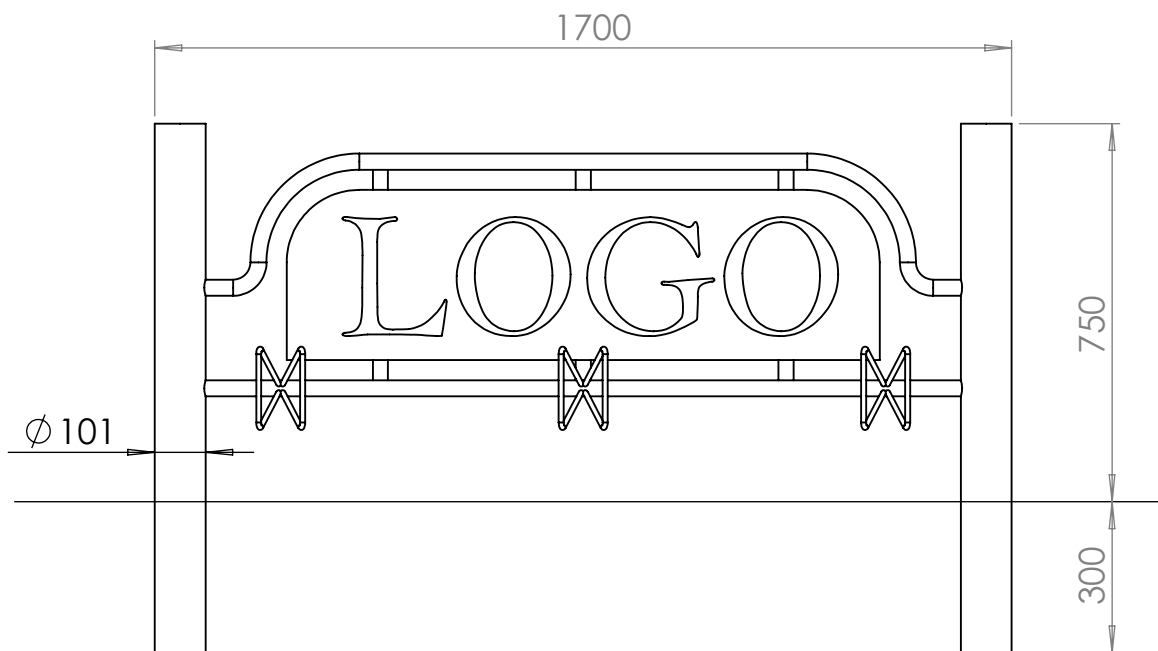
Stainless Steel: Grades 304 and 316 available, satin brush finish.

Optional Finish

Highly polished, bead blasted or polyester powder coated.

Adaptations

Cycle stands can be supplied with a root base fixing for below ground or a base plate fixing for above ground.



Cycle Stands | ASF 8002 Stainless Steel Cycle Stand ASF 9002 Steel Cycle Stand

Standard Finish

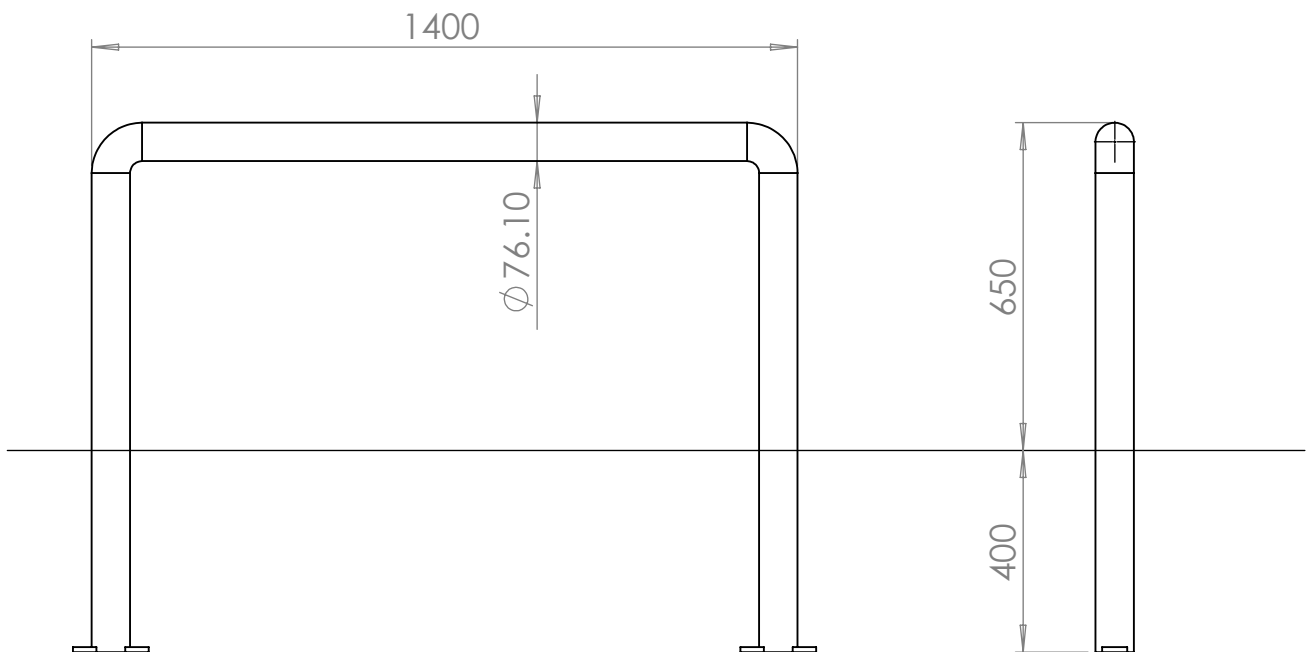
Stainless Steel: Grades 304 and 316 available, satin brush finish.

Optional Finish

Highly polished, bead blasted or polyester powder coated.

Adaptations

Cycle stands can be supplied with a root base fixing for below ground or a base plate fixing for above ground.



Cycle Stands | ASF 8005 Stainless Steel Cycle Stand ASF 9005 Steel Cycle Stand

Standard Finish

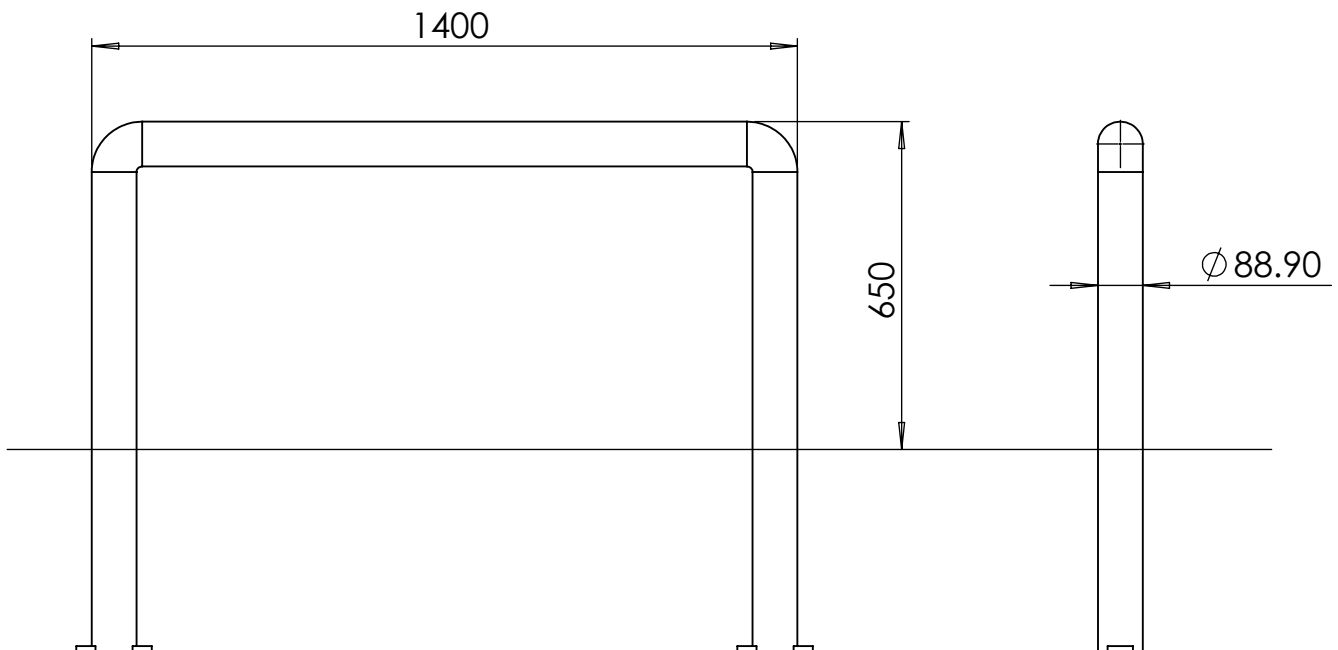
Stainless Steel: Grades 304 and 316 available, satin brush finish.

Optional Finish

Highly polished, bead blasted or polyester powder coated.

Adaptations

Cycle stands can be supplied with a root base fixing for below ground or a base plate fixing for above ground.



Cycle Stands | ASF 8006 Stainless Steel Cycle Stand ASF 9006 Steel Cycle Stand

Standard Finish

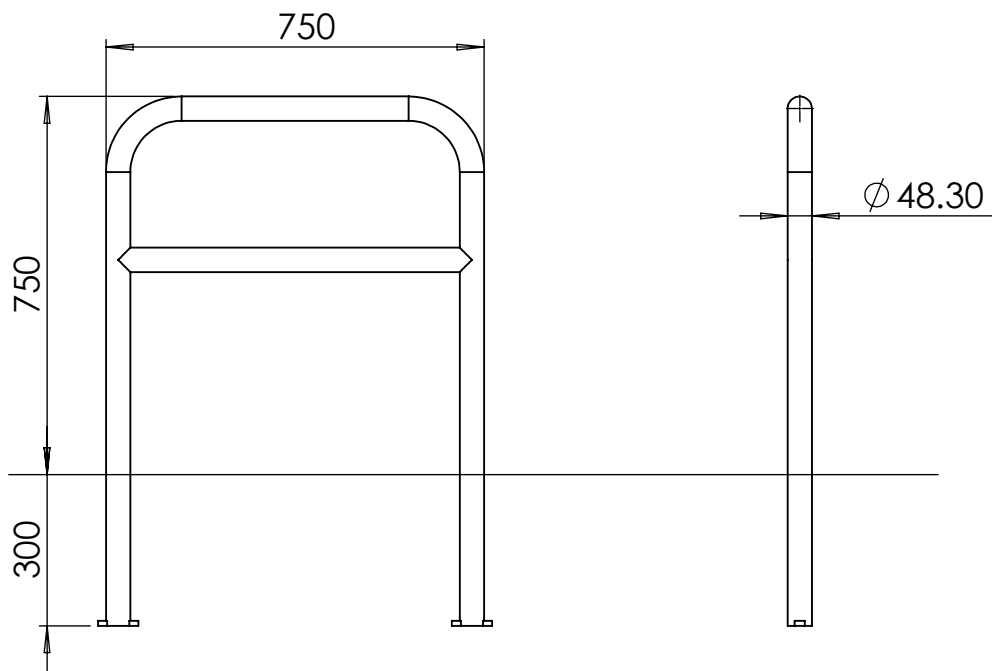
Stainless Steel: Grades 304 and 316 available, satin brush finish.

Optional Finish

Highly polished, bead blasted or polyester powder coated.

Adaptations

Cycle stands can be supplied with a root base fixing for below ground or a base plate fixing for above ground.



Cycle Stands | ASF 8007 Stainless Steel Cycle Stand ASF 9007 Steel Cycle Stand

Standard Finish

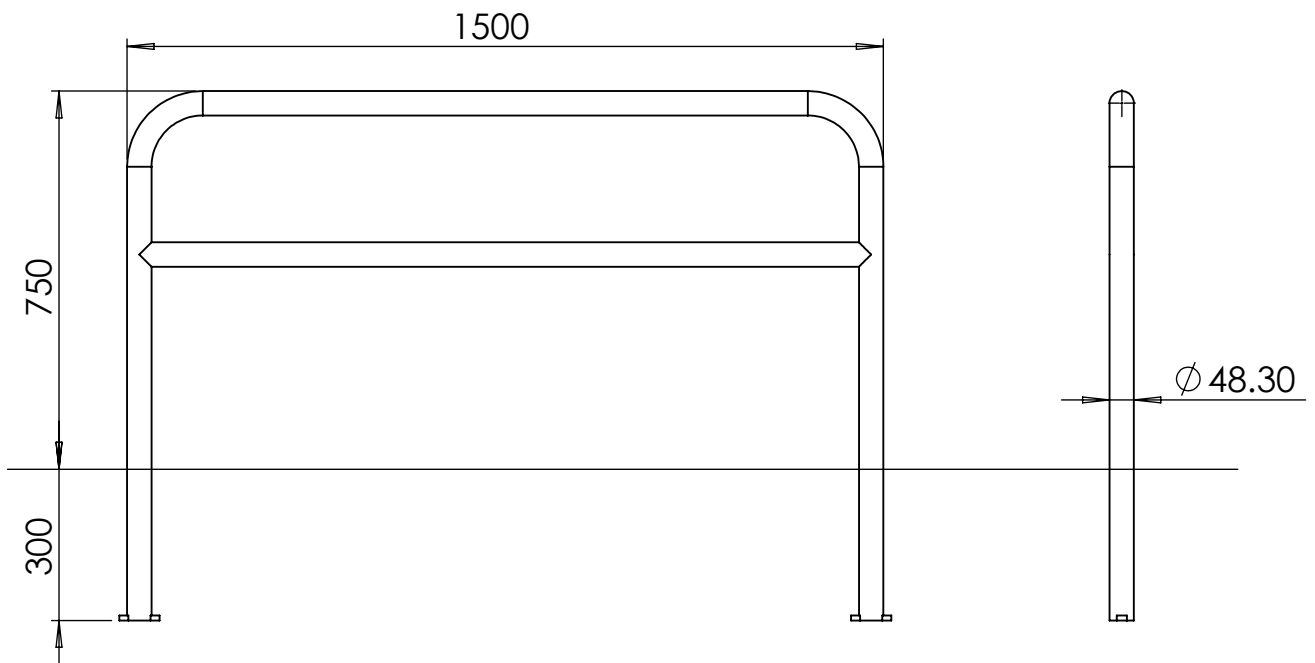
Stainless Steel: Grades 304 and 316 available, satin brush finish.

Optional Finish

Highly polished, bead blasted or polyester powder coated.

Adaptations

Cycle stands can be supplied with a root base fixing for below ground or a base plate fixing for above ground.



Cycle Stands | ASF 8008 Stainless Steel Cycle Stand ASF 9008 Steel Cycle Stand

Standard Finish

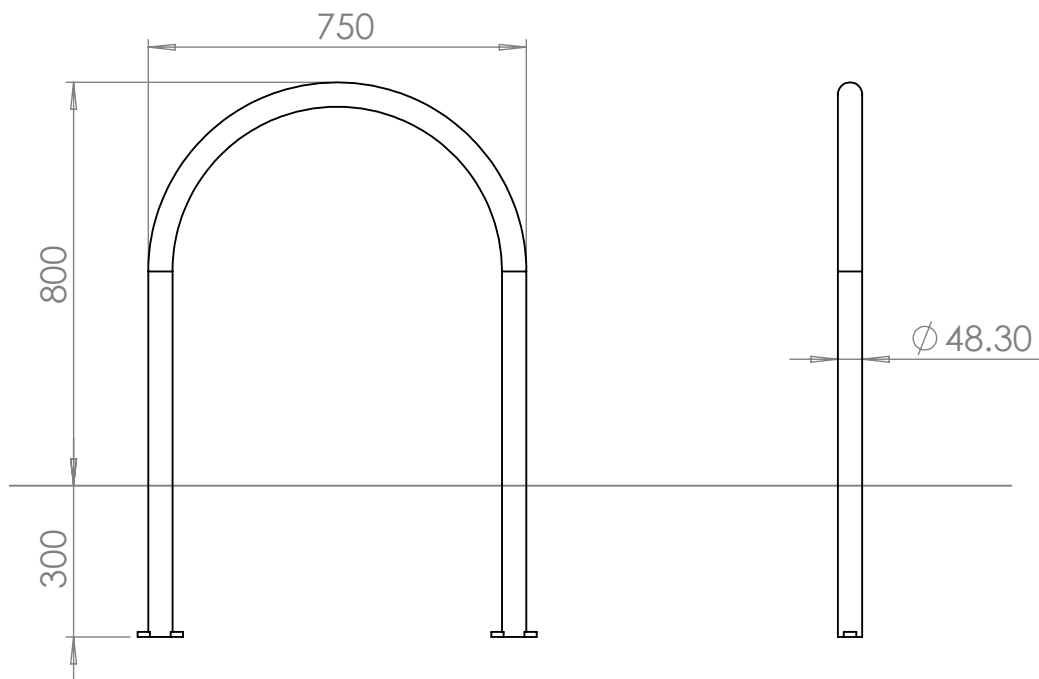
Stainless Steel: Grades 304 and 316 available, satin brush finish.

Optional Finish

Highly polished, bead blasted or polyester powder coated.

Adaptations

Cycle stands can be supplied with a root base fixing for below ground or a base plate fixing for above ground.



Cycle Stands | ASF 8009 Stainless Steel Cycle Stand ASF 9009 Steel Cycle Stand

Standard Finish

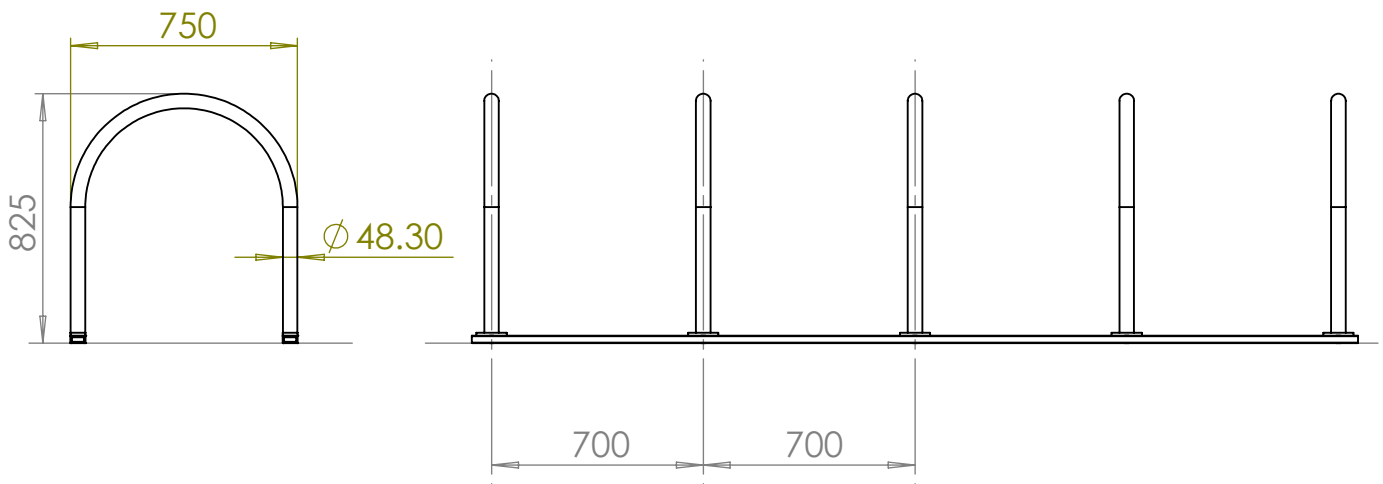
Stainless Steel: Grades 304 and 316 available, satin brush finish.

Optional Finish

Highly polished, bead blasted or polyester powder coated.

Adaptations

Cycle stands can be supplied with a root base fixing for below ground or a base plate fixing for above ground.



Cycle Stands | ASF 8009/R5 Stainless Steel Cycle Stand ASF 9009/R5 Steel Cycle Stand

Standard Finish

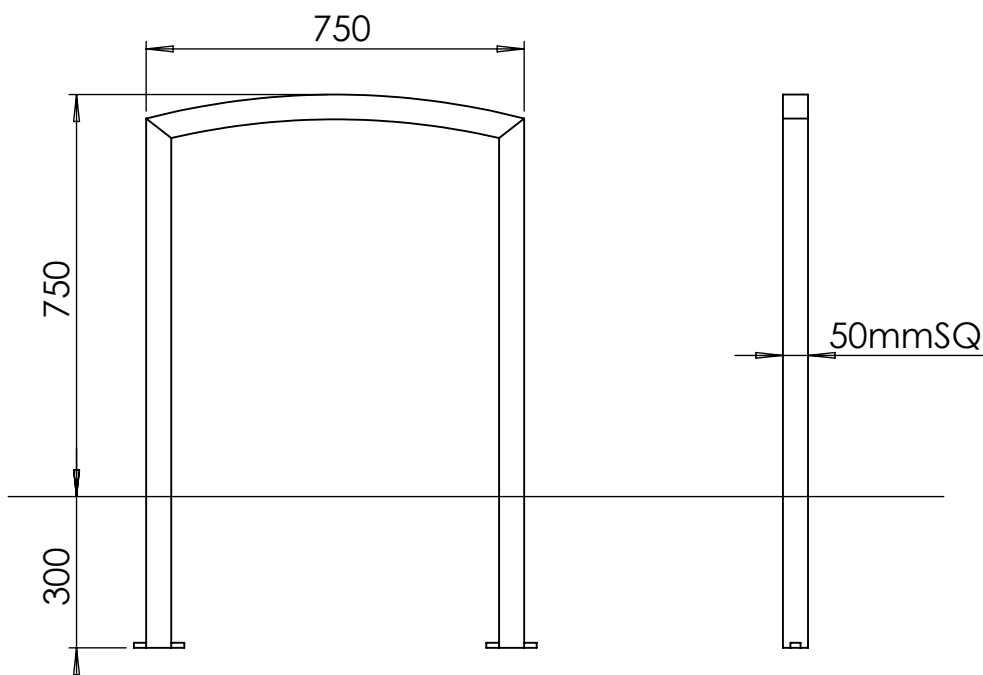
Stainless Steel: Grades 304 and 316 available, satin brush finish.

Optional Finish

Highly polished, bead blasted or polyester powder coated.

Adaptations

Cycle stands can be supplied with a root base fixing for below ground or a base plate fixing for above ground.



Cycle Stands | ASF 8010 Stainless Steel Cycle Stand ASF 9010 Steel Cycle Stand

Standard Finish

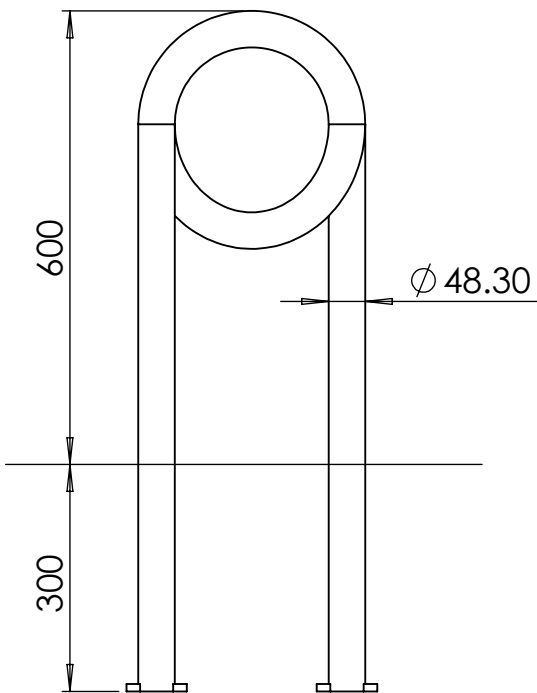
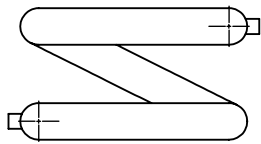
Stainless Steel: Grades 304 and 316 available, satin brush finish.

Optional Finish

Highly polished, bead blasted or polyester powder coated.

Adaptations

Cycle stands can be supplied with a root base fixing for below ground or a base plate fixing for above ground.



Cycle Stands | ASF 8011 Stainless Steel Cycle Stand ASF 9011 Steel Cycle Stand

Standard Finish

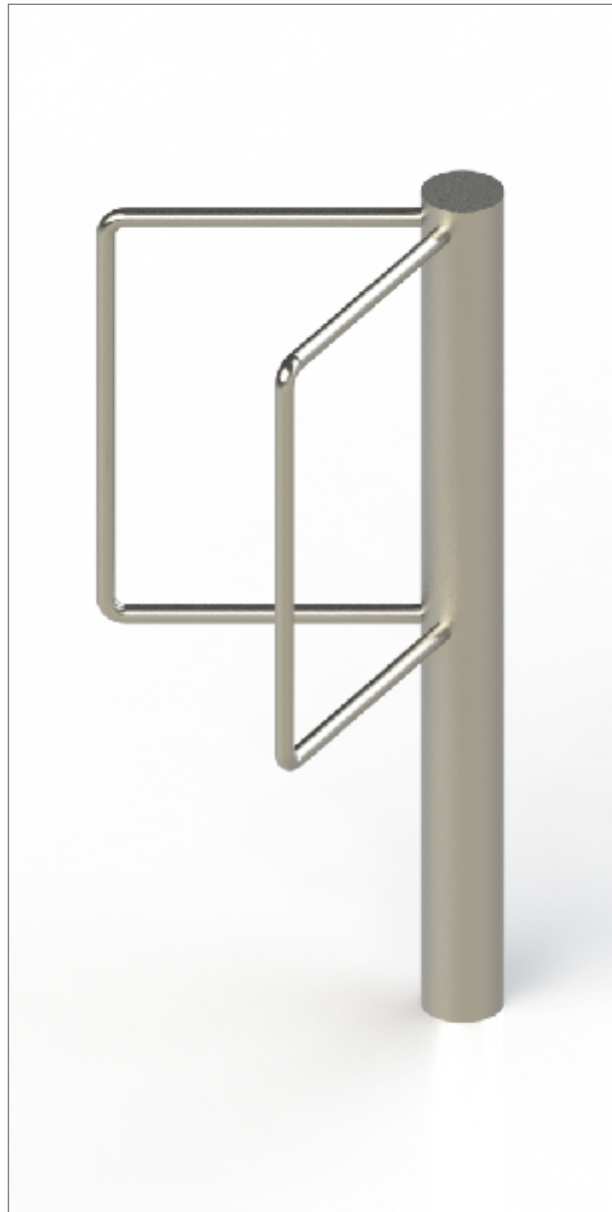
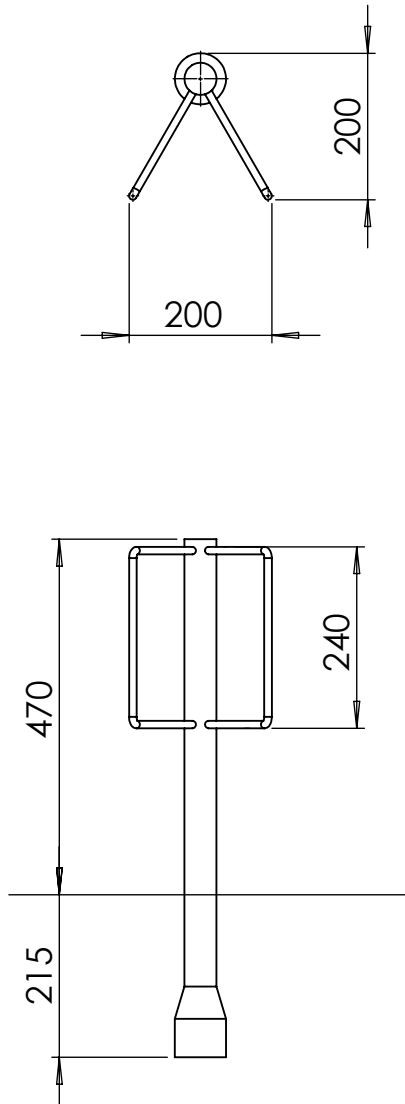
Stainless Steel: Grades 304 and 316 available, satin brush finish.

Optional Finish

Highly polished, bead blasted or polyester powder coated.

Adaptations

Cycle stands can be supplied with a root base fixing for below ground or a base plate fixing for above ground.



Cycle Stands | ASF 8012 Stainless Steel Cycle Stand ASF 9012 Steel Cycle Stand

Standard Finish

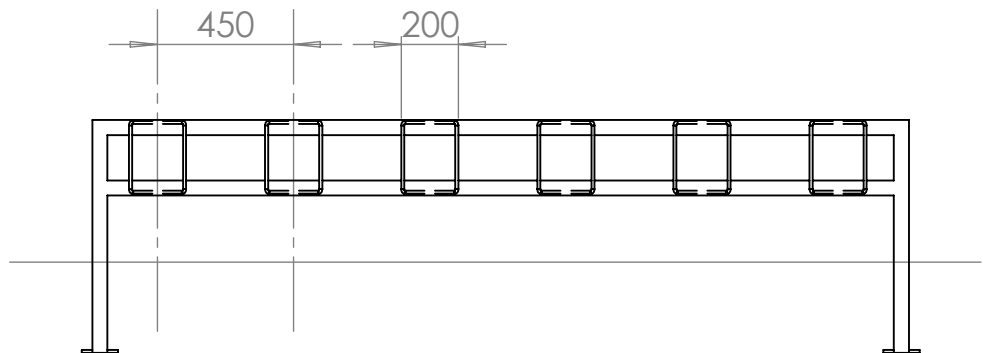
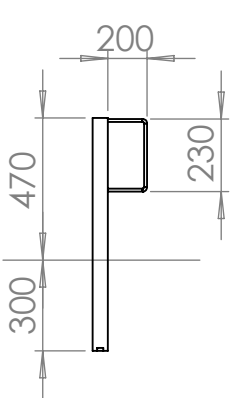
Stainless Steel: Grades 304 and 316 available, satin brush finish.

Optional Finish

Highly polished, bead blasted or polyester powder coated.

Adaptations

Cycle stands can be supplied with a root base fixing for below ground or a base plate fixing for above ground.



Cycle Stands | ASF 8012/R6 Stainless Steel Cycle Stand ASF 9012/R6 Steel Cycle Stand

Standard Finish

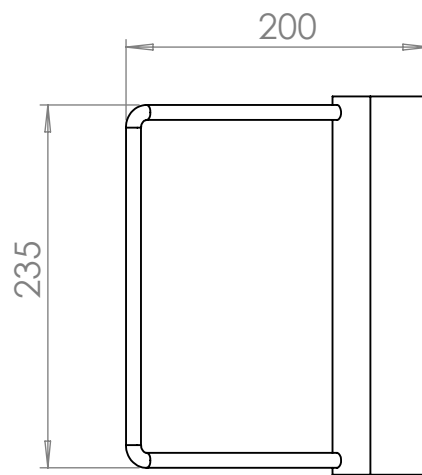
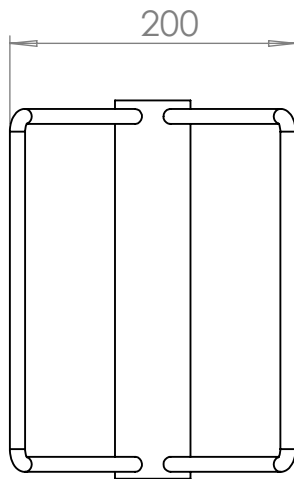
Stainless Steel: Grades 304 and 316 available, satin brush finish.

Optional Finish

Highly polished, bead blasted or polyester powder coated.

Adaptations

Cycle stands can be supplied with a root base fixing for below ground or a base plate fixing for above ground.



Cycle Stands | ASF 8013 Stainless Steel Cycle Stand ASF 9013 Steel Cycle Stand

Standard Finish

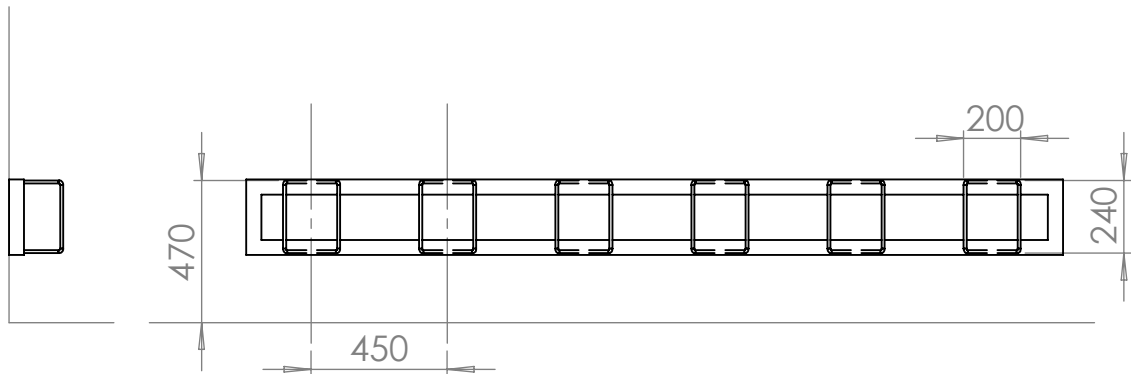
Stainless Steel: Grades 304 and 316 available, satin brush finish.

Optional Finish

Highly polished, bead blasted or polyester powder coated.

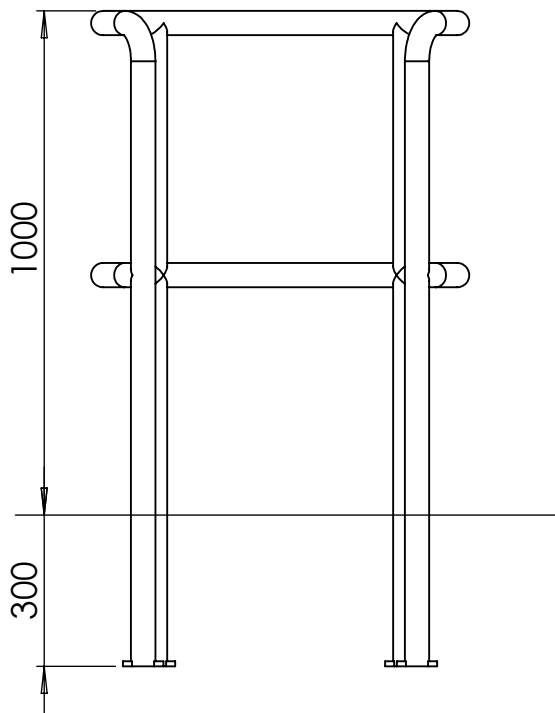
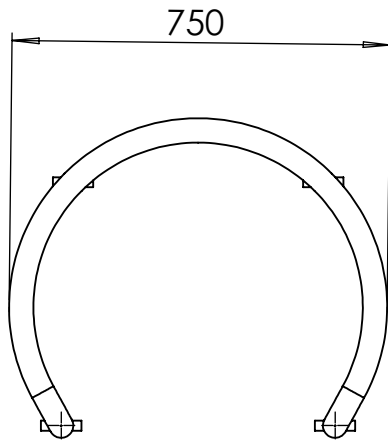
Adaptations

Cycle stands can be supplied with a root base fixing for below ground or a base plate fixing for above ground.



Cycle Stands | ASF 8013 Stainless Steel Cycle Stand ASF 9013 Steel Cycle Stand

Standard Finish	Stainless Steel: Grades 304 and 316 available, satin brush finish.
Optional Finish	Highly polished, bead blasted or polyester powder coated.
Adaptations	Cycle stands can be supplied with a root base fixing for below ground or a base plate fixing for above ground.



Cycle Stands | ASF 8500/C Stainless Steel Cycle Stand ASF 9500/C Steel Cycle Stand

Standard Finish

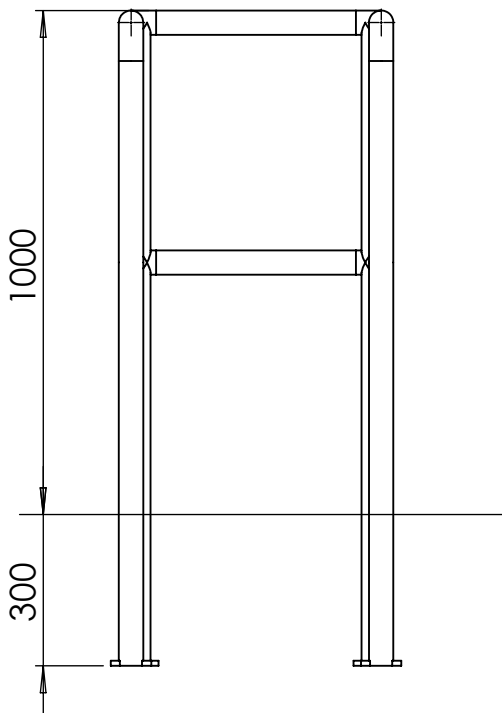
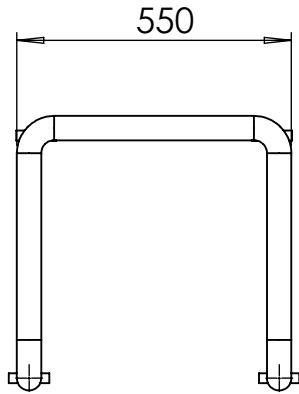
Stainless Steel: Grades 304 and 316 available, satin brush finish.

Optional Finish

Highly polished, bead blasted or polyester powder coated.

Adaptations

Cycle stands can be supplied with a root base fixing for below ground or a base plate fixing for above ground.



Cycle Stands | ASF 8500/S Stainless Steel Cycle Stand ASF 9500/S Steel Cycle Stand

Standard Finish

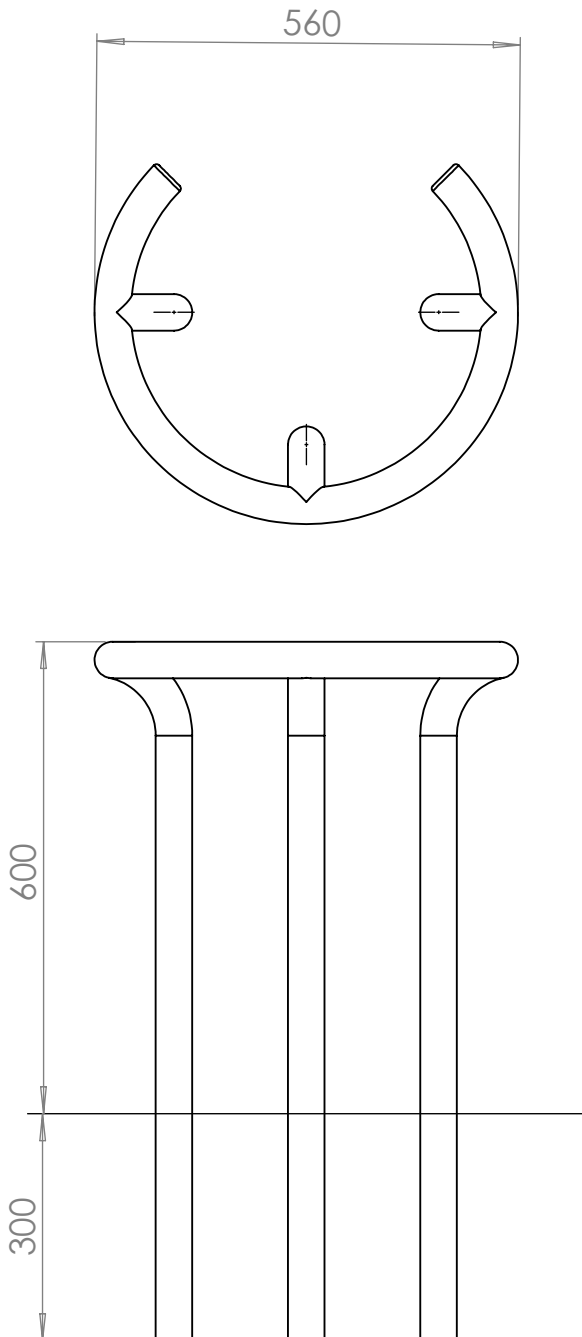
Stainless Steel: Grades 304 and 316 available, satin brush finish.

Optional Finish

Highly polished, bead blasted or polyester powder coated.

Adaptations

Cycle stands can be supplied with a root base fixing for below ground or a base plate fixing for above ground.



Cycle Stands | ASF 8600 Stainless Steel Cycle Stand ASF 9600 Steel Cycle Stand

Standard Finish

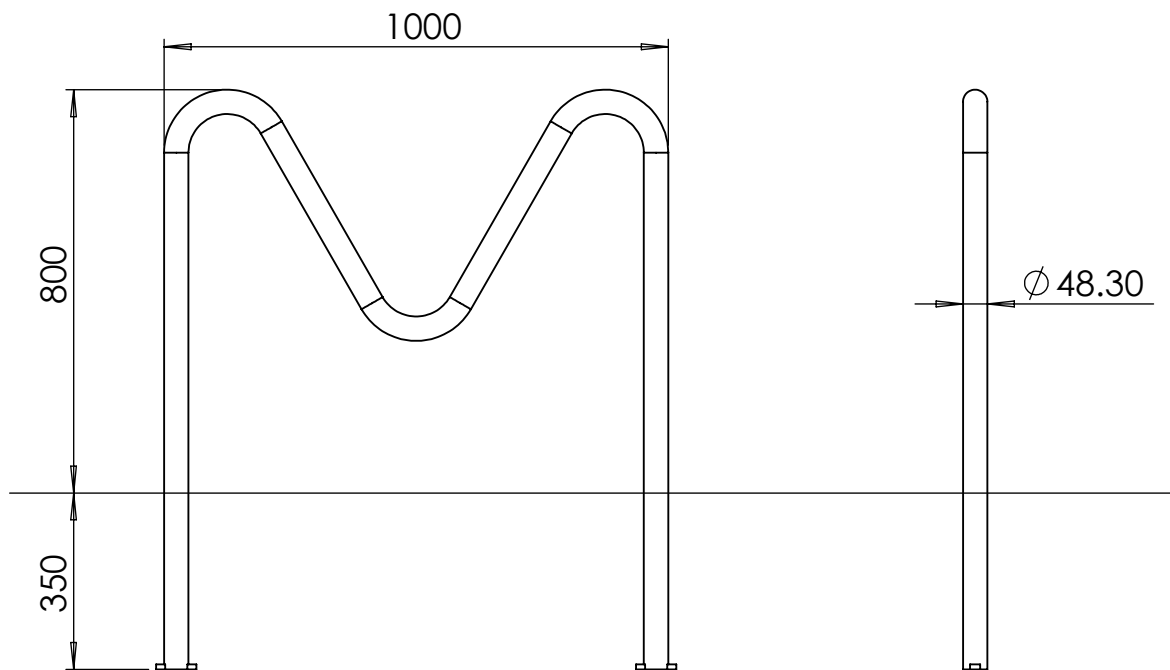
Stainless Steel: Grades 304 and 316 available, satin brush finish.

Optional Finish

Highly polished, bead blasted or polyester powder coated.

Adaptations

Cycle stands can be supplied with a root base fixing for below ground or a base plate fixing for above ground.



Cycle Stands | ASF 8014 Stainless Steel Cycle Stand ASF 9014 Steel Cycle Stand

Standard Finish

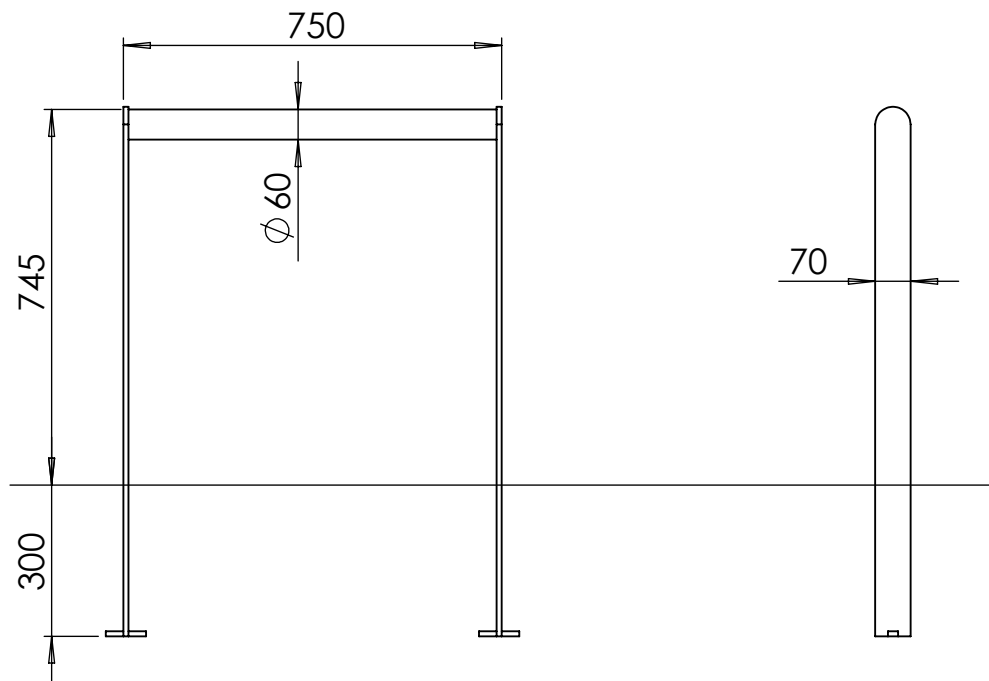
Stainless Steel: Grades 304 and 316 available, satin brush finish.

Optional Finish

Highly polished, bead blasted or polyester powder coated.

Adaptations

Cycle stands can be supplied with a root base fixing for below ground or a base plate fixing for above ground.



Cycle Stands | ASF 8015 Stainless Steel Cycle Stand ASF 9015 Steel Cycle Stand

Standard Finish

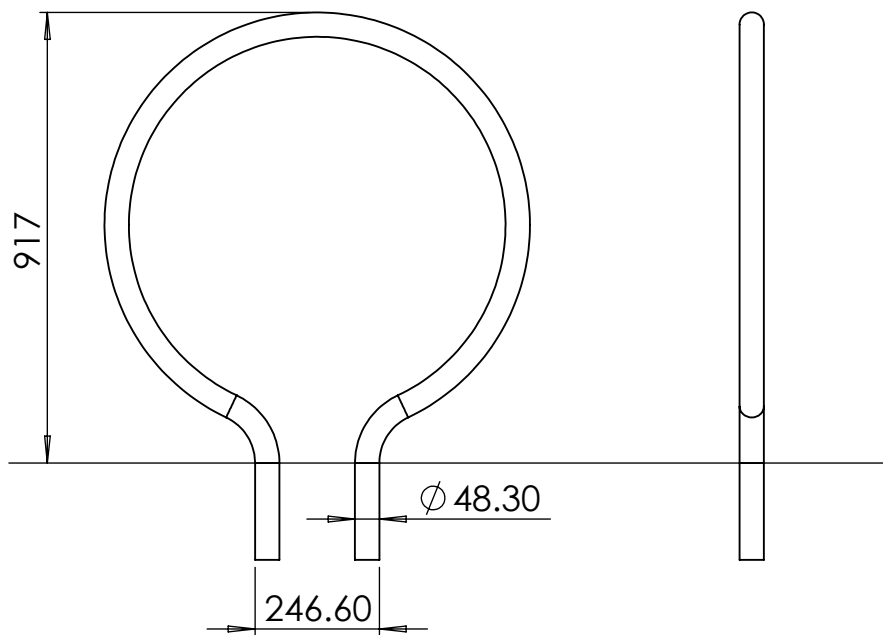
Stainless Steel: Grades 304 and 316 available, satin brush finish.

Optional Finish

Highly polished, bead blasted or polyester powder coated.

Adaptations

Cycle stands can be supplied with a root base fixing for below ground or a base plate fixing for above ground.



Cycle Stands | ASF 8016 Stainless Steel Cycle Stand ASF 9016 Steel Cycle Stand

Standard Finish

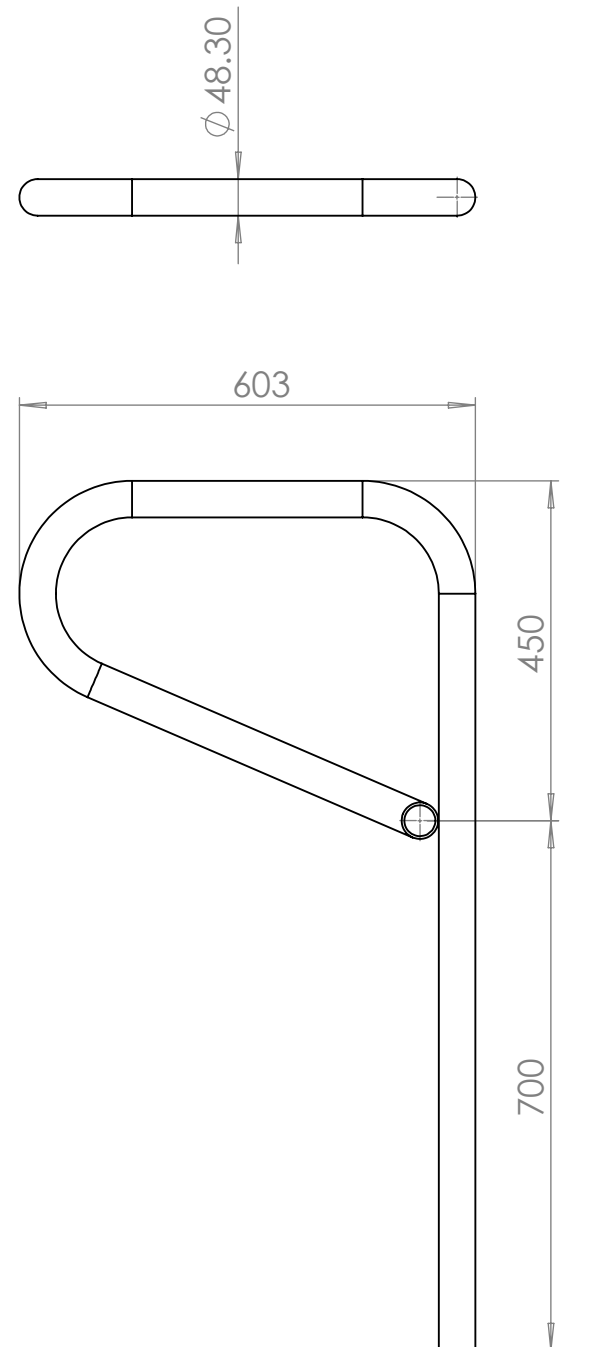
Stainless Steel: Grades 304 and 316 available, satin brush finish.

Optional Finish

Highly polished, bead blasted or polyester powder coated.

Adaptations

Cycle stands can be supplied with a root base fixing for below ground or a base plate fixing for above ground.



Cycle Stands | ASF 8017 Stainless Steel Cycle Stand ASF 9017 Steel Cycle Stand

Standard Finish

Stainless Steel: Grades 304 and 316 available, satin brush finish.

Optional Finish

Highly polished, bead blasted or polyester powder coated.

Adaptations

Cycle stands can be supplied with a root base fixing for below ground or a base plate fixing for above ground.